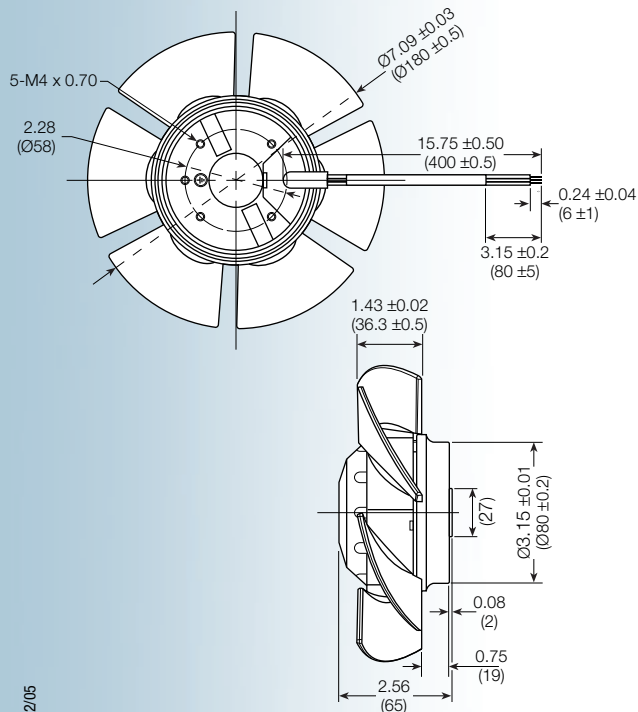


UF180BAB series



**Size: (180 dia x 65 mm)
7.09 dia x 2.56 inches**

Features: forward curved impeller

Operating voltage (VAC): 115 or 230

Construction: aluminum die cast motor base
aluminum impeller

Bearing option: motor quality ball bearings

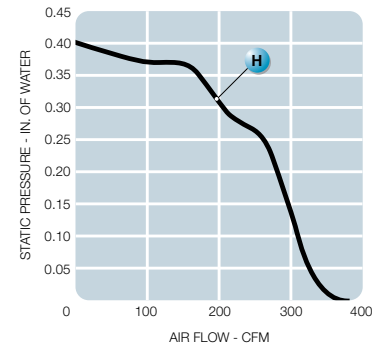
Motor: 2 pole permanent split capacitor,
single phase

Air flow: axial

Connection: 22 AWG lead wires; nom. 14 inches

Protection: thermal

Insulation: Class B



Model No.	Rated Voltage V	Freq. HZ	Input Power W	Rated Cur. A	Locked Cur. A	Speed RPM	Air Volume		Max Static Pressure (H ₂ O)		Sound Noise dB	Wt LBS
							M ³ /Min	CFM	MM	INCH		
UF180BAB12-HC2-A	115	60	75	0.71	1.23	3,100	11	388	10.1	0.4	65	2.6
UF180BAB23-HC2-A	230	60	75	0.40	0.54	3,100	11	388	10.1	0.4	65	2.6