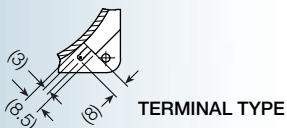
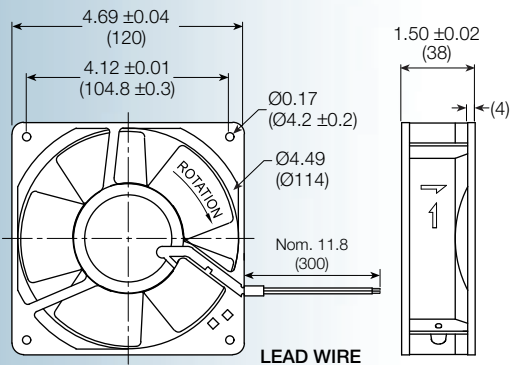


UF12AM series



Size: (120 x 120 x 38 mm)
4.69 x 4.69 x 1.5 inches

Features: *metal frame and impeller;*
Class F (155°) insulation;
-40°C ~ 90°C operating
temperature range;
high-temp bearing lubricant

Operating voltage (VAC): 115 or 230

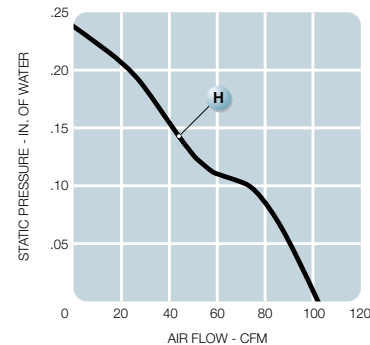
Bearing option: motor quality ball bearings

Motor: shaded pole

Air flow: exhaust over struts

Connection: terminal or 22 AWG lead wire

Protection: impedance



Model No.	Rated Voltage V	Freq. HZ	Input Power W	Rated Cur. A	Locked Cur. A	Speed RPM	Air Volume		Max Static Pressure (H ₂ O)		Sound Noise dB	Wt OZ
							M ³ /Min	CFM	MM	INCH		
UF12AM12-__H	115	60	13	0.15	0.22	3,100	2.9	103	6.0	0.24	46	19.4
UF12AM23-__H	230	60	15	0.09	0.12	3,100	2.9	103	6.0	0.24	46	19.4