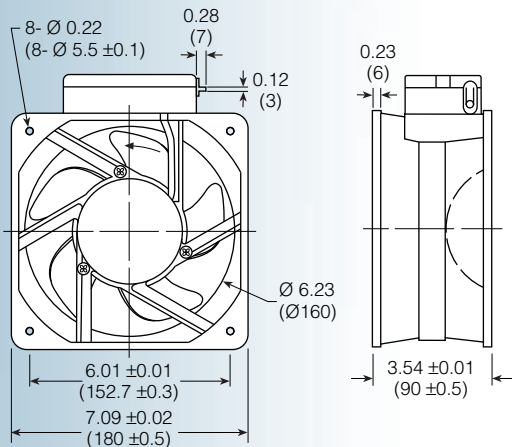


UF18JC series



Terminal Or Lead Wire Type

Size: (180 x 180 x 90 mm)
7.09 x 7.09 x 3.54 inches

Features: *high performance, capacitor start motor*

Operating voltage (VAC): 115 or 230

Construction: aluminum die cast frame;
 UL94V-0 PBT impeller

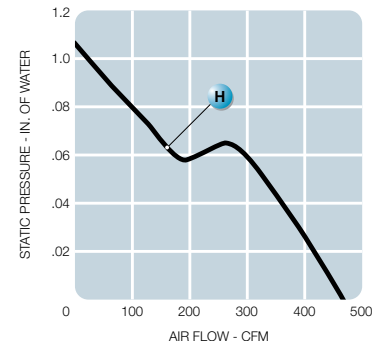
Bearing option: motor quality ball bearings

Motor: capacitor start

Air flow: exhaust over struts

Connection: terminal or 22 AWG lead wire

Protection: thermal



Model No.	Rated Voltage V	Freq. HZ	Input Power W	Rated Cur. A	Locked Cur. A	Speed RPM	Air Volume		Max Static Pressure (H ₂ O)		Sound Noise dB	Wt LBS
							M ³ /Min	CFM	MM	INCH		
UF18JC12-__H	115	60	72	0.63	2.01	3,400	13	460	27	1.06	59	4.8
UF18JC23-__H	230	60	72	0.31	1.01	3,400	13	460	27	1.06	59	4.8