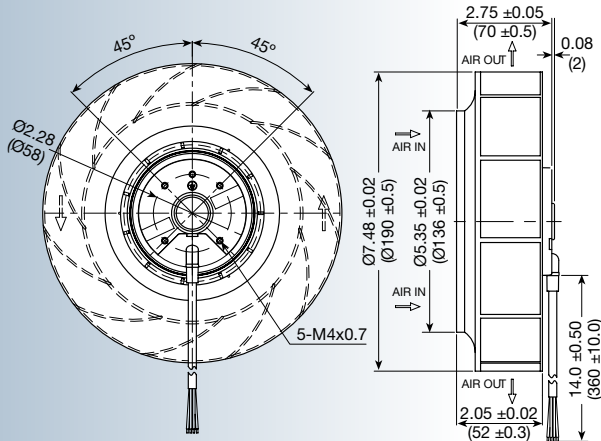


UF190APA series



**Size: (190 dia x 70 mm)
7.48 x 2.75 inches**

Features: backward curved impeller

Operating voltage (VAC): 115 or 230

Operating temp: -40° ~ 50°C

Construction: aluminum die cast motor base
UL94V-0 reinforced nylon impeller

Bearing option: motor quality ball bearings

Motor: 2 pole permanent split capacitor,
single phase

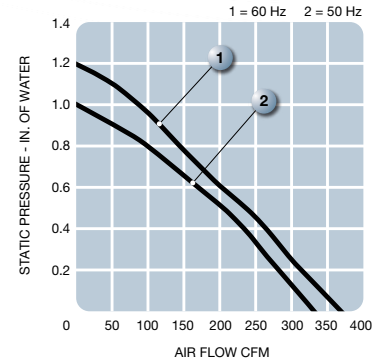
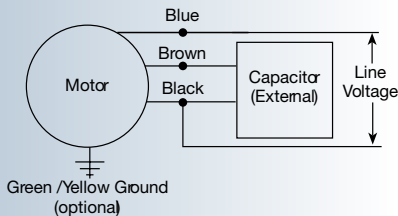
Air flow: centrifugal

Connection: 22 AWG lead wires; nom. 14 inches

Protection: thermal

Insulation: Class B

Motor Wiring Diagram



Model No.	Rated Voltage V	Freq. HZ	Input Power W	Rated Cur. A	Locked Cur. A	Speed RPM	Air Volume		Max. Static Pressure (H ₂ O)		Sound Noise dbA	Weight kg
							M ³ /Min.	CFM	MM	INCH		
UF190APA12-H1C2A	115	50	55	0.45	0.92	2500	9.5	335	25	1.0	60	1.2
	115	60	65	0.54	0.91	2700	10.4	370	30	1.2	63	1.2
UF190APA23-H1C2A	230	50	57	0.23	0.43	2500	9.5	335	25	1.0	60	1.2
	230	60	72	0.30	0.45	2700	10.4	370	30	1.2	63	1.2