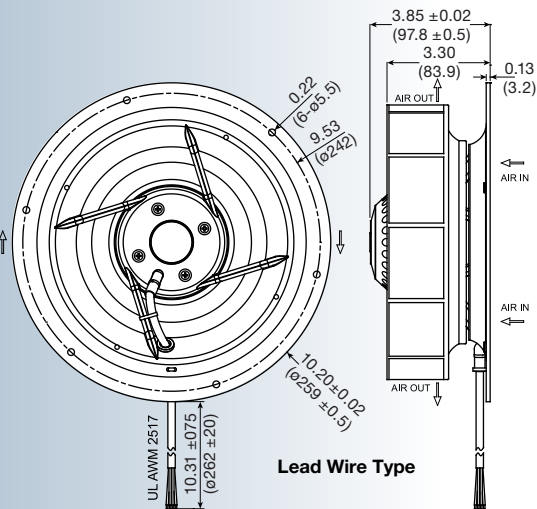
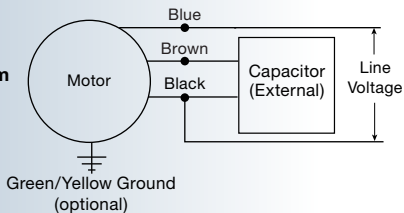


UF220APA-F series



Lead Wire Type

Motor Wiring Diagram



Size: (259 dia x 98 mm)
10.20 dia x 3.85 inches

Features: integrated mounting plate acts as inlet ring

Operating voltage (VAC): 115 or 230

Operating temp: -40° ~ 50°C

Construction: aluminum die cast motor base
UL94V-0 reinforced nylon impeller

Bearing option: motor quality ball bearings

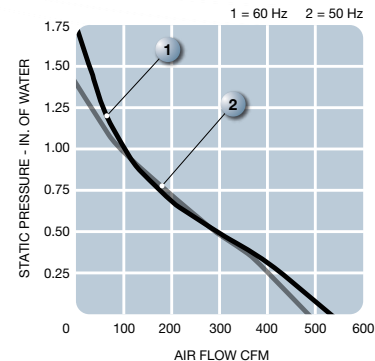
Motor: 2 pole permanent split capacitor, single phase

Air flow: centrifugal

Connection: 22 AWG lead wires; nom. 14 inches

Protection: thermal

Insulation: Class B



Model No.	Rated Voltage V	Freq. HZ	Input Power W	Rated Cur. A	Locked Cur. A	Speed RPM	Air Volume		Max. Static Pressure (H ₂ O)		Sound Noise dbA	Weight kg
							M ³ /Min.	CFM	MM	INCH		
UF220APA12-H2C2F	115	50	90	0.63	0.88	2500	14	500	35	1.4	65	1.9
	115	60	117	0.80	0.93	2650	15	530	38	1.7	70	1.9
UF220APA23-H2C2F	230	50	90	0.35	0.47	2500	14	500	35	1.4	65	1.9
	230	60	117	0.39	0.49	2650	15	530	38	1.7	70	1.9