

UF225(99)APA series

**Size: (225 dia. x 99 mm)
8.86 dia. x 3.90 inches**

Features: backward curved impeller

Operating Voltage (VAC): 115 or 230

Operating Temp: -40°C ~ 50°C

Construction: aluminum die cast motor base;
UL94V-0 reinforced nylon impeller

Bearing Option: motor quality ball bearings

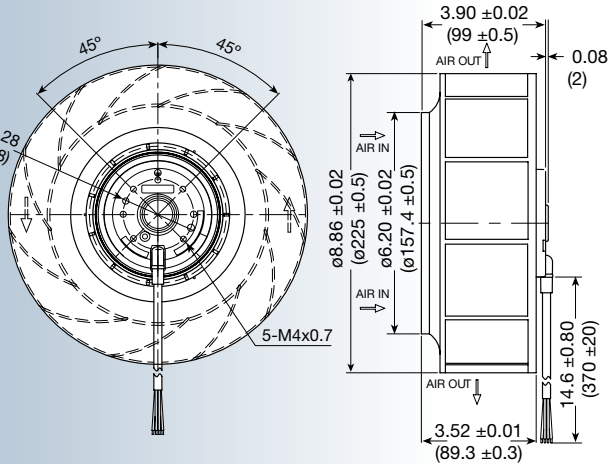
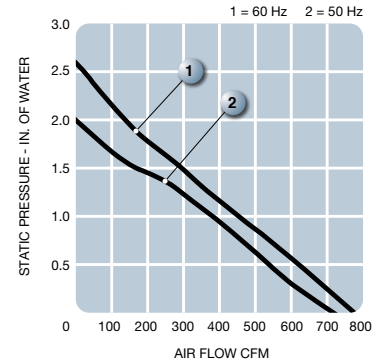
Motor: 2 pole permanent split capacitor,
single phase

Airflow: centrifugal

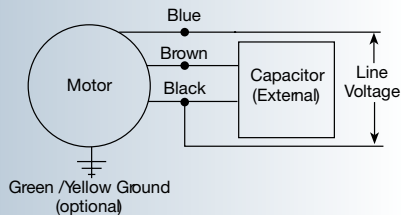
Connection: AWM 2517 lead wires; nom. 14 inches

Protection: thermal

Insulation: class B



Motor Wiring Diagram



Model No.	Rated Voltage V	Freq. HZ	Input Power W	Rated Cur. A	Locked Cur. A	Speed RPM	Air Volume		Max. Static Pressure (H ₂ O)		Sound Noise dbA	Weight kg
							M ³ /Min.	CFM	MM	INCH		
UF225APA(99)12-H1C2A	115	50	128	1.16	2.22	2650	20	700	51	2.0	69	2.3
	115	60	160	1.41	2.30	2950	22	770	66	2.6	71	2.3
UF225APA(99)23-H1C2A	230	50	126	0.57	1.14	2650	20	700	51	2.0	69	2.3
	230	60	157	0.70	1.15	2950	22	770	66	2.6	71	2.3