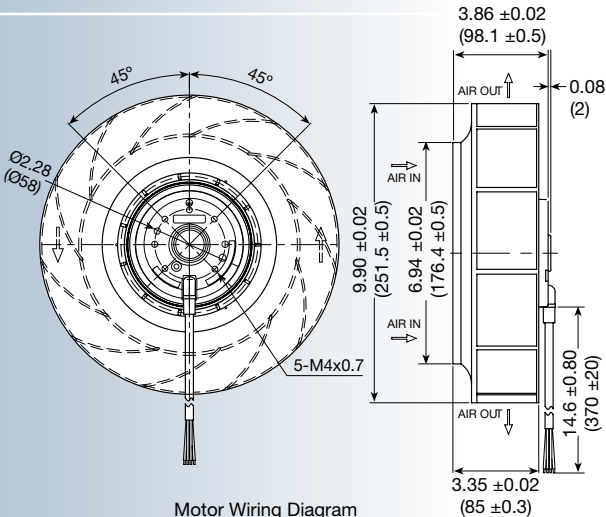
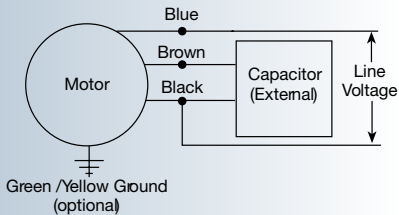


# AC

## UF250APA series



Motor Wiring Diagram



**Size: (251 dia x 98 mm)  
9.90 dia x 3.86 inches**

**Features:** backward curved impeller

**Operating voltage (VAC):** 115 or 230

**Operating temp:** -40° ~ 50°C

**Construction:** aluminum die cast motor base  
UL94V-0 reinforced nylon impeller

**Bearing option:** motor quality ball bearings

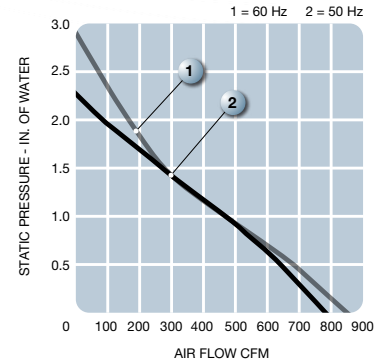
**Motor:** 2 pole permanent split capacitor,  
single phase

**Air flow:** centrifugal

**Connection:** 22 AWG lead wires; nom. 14 inches

**Protection:** thermal

**Insulation:** Class B



Model No.	Rated Voltage V	Freq. HZ	Input Power W	Rated Cur. A	Locked Cur. A	Speed RPM	Air Volume		Max. Static Pressure (H <sub>2</sub> O)		Sound Noise dbA	Weight kg
							M <sup>3</sup> /Min.	CFM	MM	INCH		
UF250APA12-H1C2A	115	50	170	1.50	3.10	2600	22	770	56	2.2	75	3.1
	115	60	240	2.10	3.00	2700	24	850	74	2.9	76	3.1
UF250APA12-H1C2A	230	50	170	0.77	1.57	2600	22	770	56	2.2	75	3.1
	230	60	240	1.00	1.52	2700	24	850	74	2.9	76	3.1