

UF25GC series

**Size: (254 dia. x 89 mm)
10.0 dia. x 3.5 inches**

Operating voltage (VAC): 115 or 230

Construction: aluminum die cast frame;
UL94V-0 PBT impeller

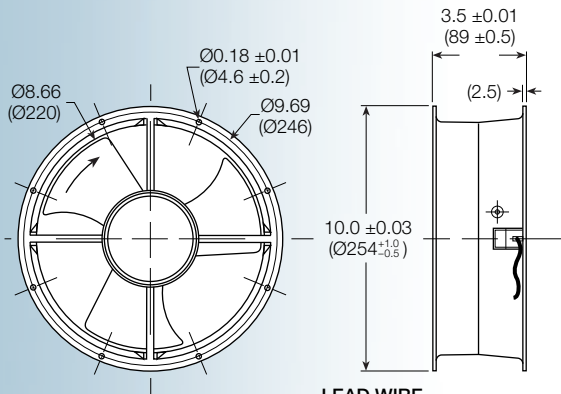
Bearing option: motor quality ball bearings

Motor: capacitor start

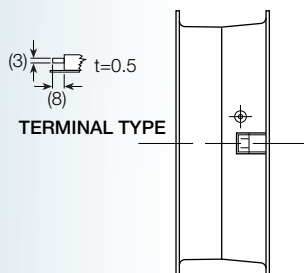
Air flow: exhaust over struts

Connection: terminal or 22 AWG lead wire

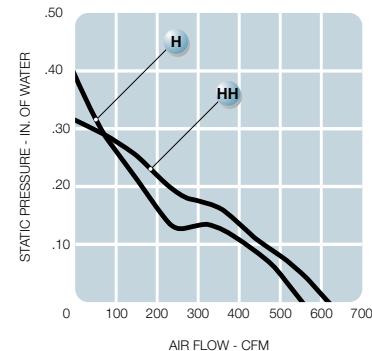
Protection: thermal



LEAD WIRE



TERMINAL TYPE



Model No.	Rated Voltage V	Freq. HZ	Input Power W	Rated Cur. A	Locked Cur. A	Speed RPM	Air Volume		Max Static Pressure (H ₂ O)		Sound Noise dB	Wt LBS
							M ³ /Min	CFM	MM	INCH		
UF25GC12-__H	115	60	33	0.29	0.51	1,650	15.5	550	10	0.40	56	4.2
UF25GC23-__H	230	60	33	0.14	0.25	1,650	15.5	550	10	0.40	56	4.2
UF25GC12-__HH	115	60	72	0.61	0.62	2,000	17.6	620	8.25	0.33	58	4.2