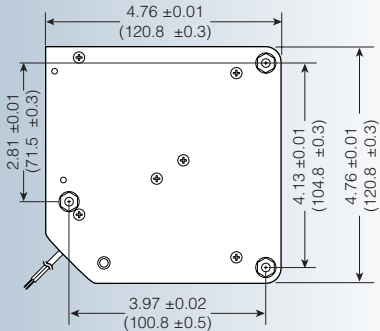
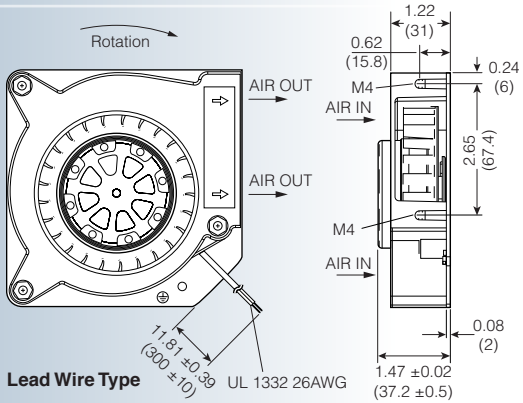


AC

UF90DPB series



Size: (120 x 120 x 37 mm)
4.72 x 4.72 x 1.46

Features: single inlet blower

Operating Voltage (VAC): 115 or 230

Operating Temp: -40°C ~ 60°C

Construction: aluminum die cast motor base;
 UL94V-0 reinforced nylon impeller

Bearing Option: motor quality ball bearings

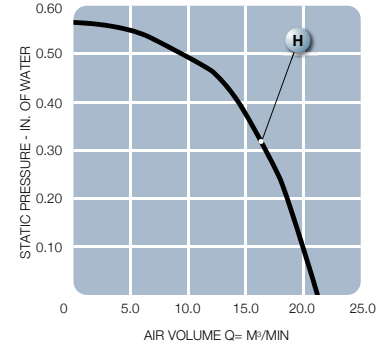
Motor: shaded pole

Airflow: centrifugal

Connection: UL1332 26AWG lead wires,
 12 inches nominal

Protection: thermal

Insulation: class B



Model No.	Rated Voltage V	Freq. HZ	Input Power W	Rated Cur. A	Locked Cur. A	Speed RPM	Air Volume		Max. Static Pressure (H ₂ O)		Sound Noise dbA	Weight kg
							M ³ /Min.	CFM	MM	INCH		
UF90DPB12-H1S2A	115	60	18	0.21	0.26	2700	0.60	21	13	0.50	51	0.66
UF90DPB23-H1S2A	230	60	18	0.10	0.12	2700	0.60	21	13	0.50	51	0.66