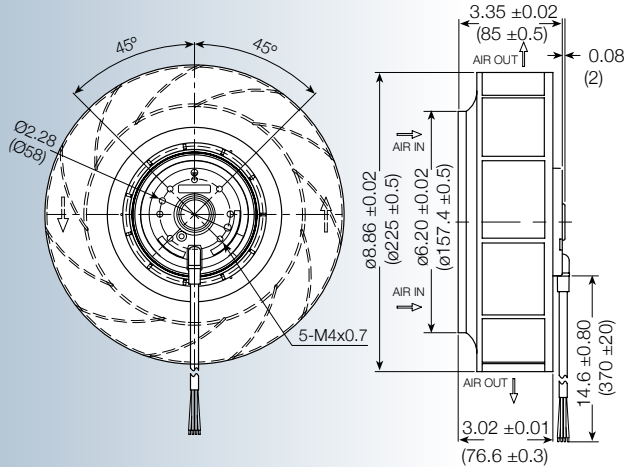
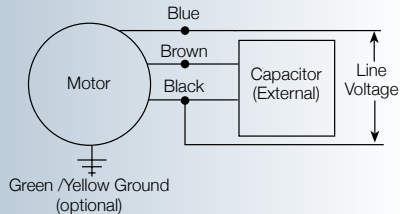


AC

UF225(85)APA series



Motor Wiring Diagram



Size: (225 dia. x 85 mm)
8.86 dia. x 3.35 inches

Features: backward curved impeller

Operating Voltage (VAC): 115 or 230

Operating Temp: -40°C ~ 50°C

Construction: aluminum die cast motor base;
UL94V-0 reinforced nylon impeller

Bearing Option: motor quality ball bearings

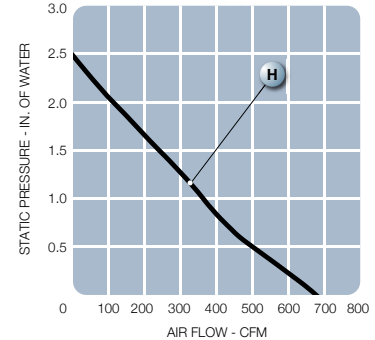
Motor: 2 pole permanent split capacitor,
single phase

Airflow: centrifugal

Connection: AWM 2517 lead wires; nom. 14 inches

Protection: thermal

Insulation: class B



Model No.	Rated Voltage V	Freq. HZ	Input Power W	Rated Cur. A	Locked Cur. A	Speed RPM	Air Volume		Max. Static Pressure (H ₂ O)		Sound Noise dbA	Weight kg
							M ³ /Min.	CFM	MM	INCH		
UF225(85)APA12-H1C2A	115	60	160	1.20	2.30	3000	19.2	680	64	2.5	75	2.3
UF225(85)APA23-H1C2A	230	60	157	0.60	1.15	3000	19.2	680	64	2.5	75	2.3