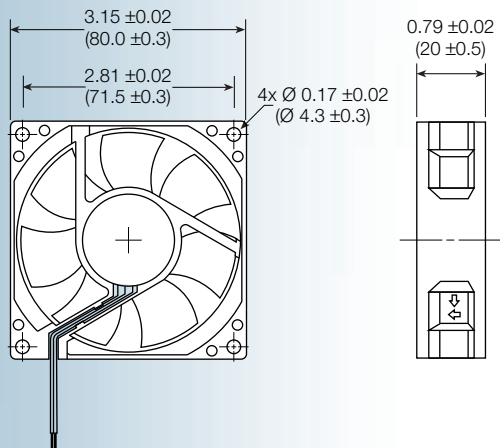
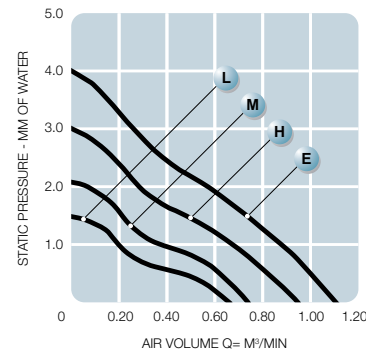


MB8020 series



Size: (80 x 80 x 20 mm)
3.15 x 3.15 x 0.79 inches

- Features:** *thin profile*
- Construction:** UL94V-0 PBT impeller & frame
- Bearing option:** ball bearing or sleeve
- Connection:** AWG 26, UL1007 lead wires
- Frame:** flanged
- Protection:** impedance
- Options:** tachometer output signal



Model No.	Rated Voltage V	Operating Voltage V	Current mA	Revolution RPM	Air Volume		Max Static Pressure (H ₂ O)		Sound Noise dBA	Weight g
					M ³ /Min	CFM	MM	INCH		
MB8020L	12	6 - 13.8	90	2,100	0.64	22.4	1.52	0.06	25.0	62
MB8020M	12	6 - 13.8	120	2,500	0.72	26.9	2.10	0.08	29.0	62
MB8020H	12	6 - 13.8	170	3,000	0.92	32.5	3.02	0.12	34.0	62
MB8020E	12	6 - 13.8	300	3,600	1.07	37.7	4.02	0.16	39.0	62