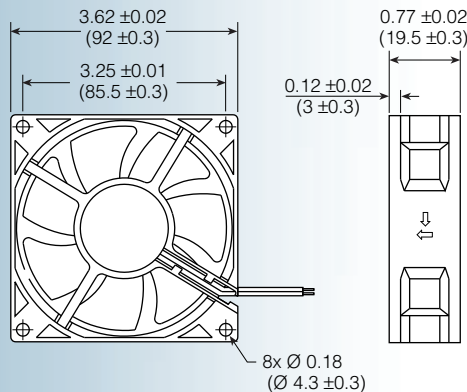


MB9220 series



Size: (92 x 92 x 19.5 mm)
3.62 x 3.62 x 0.77 inches

Construction: UL94V-0 PBT impeller & frame

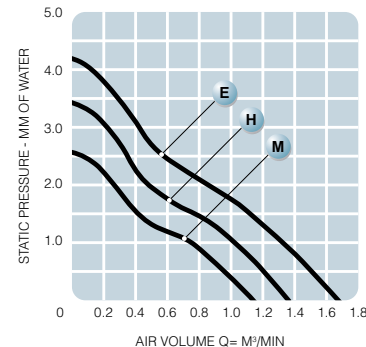
Bearing option: ball bearing or sleeve

Connection: AWG 24, UL1007 lead wires

Frame: flanged

Protection: impedance

Options: tachometer output signal



Model No.	Rated Voltage V	Current mA 12	Revolution RPM	Air Volume		Max Static Pressure (H ₂ O)		Sound Noise dBA	Weight g
				M ³ /Min	CFM	MM	INCH		
MB9220L	12	0.12	2,100	0.90	31.8	1.18	0.04	24	71
MB9220M	12	0.16	2,500	1.08	38.1	2.60	0.10	28	71
MB9220H	12	0.26	3,000	1.35	47.7	3.48	0.14	32	71
MB9220E	12	0.32	3,600	1.65	57.5	4.20	0.17	38	71