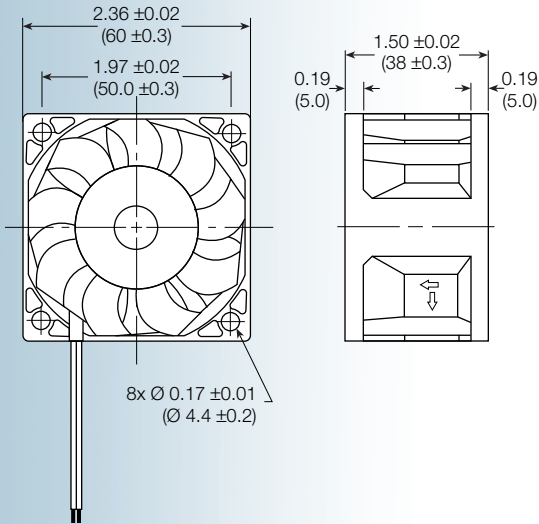


DC

ULTRA-HIGH PERFORMANCE ME6038 series



Size: (60 x 60 x 38 mm)
2.36 x 2.36 x 1.50 inches

Features: *unique high performance design*

Construction: UL94V-0 PBT impeller & frame

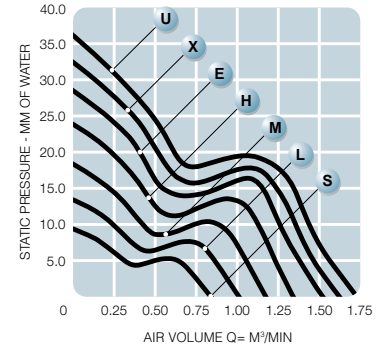
Bearing option: ball bearing

Connection: AWG 26, UL1007 lead wires

Frame: reinforced flange design

Protection: thermal

Options: tachometer output or
locked rotor signal



Model No.	Rated Voltage V	Operating Voltage V	Current A	Revolution RPM	Air Volume		Max Static Pressure (H ₂ O)		Sound Noise dBA	Weight g
					M ³ /Min	CFM	MM	INCH		
ME6038S	12	7 - 13.2	0.38	5,000	0.838	29.58	9.23	0.36	44.6	104
ME6038L	12	7 - 13.2	0.50	6,000	1.006	35.51	13.31	0.52	48.5	104
ME6038M	12	7 - 13.2	0.67	7,000	1.177	41.55	18.10	0.71	53.2	104
ME6038H	12	7 - 13.2	0.86	8,000	1.342	47.38	23.68	0.93	58.0	104
ME6038E	12	7 - 13.2	1.20	8,800	1.525	53.85	27.70	1.09	60.0	104
ME6038X	12	7 - 13.2	1.40	9,400	1.629	57.52	31.60	1.24	63.0	104
ME6038U	12	7 - 13.2	1.80	10,000	1.733	61.19	35.30	1.41	65.0	104