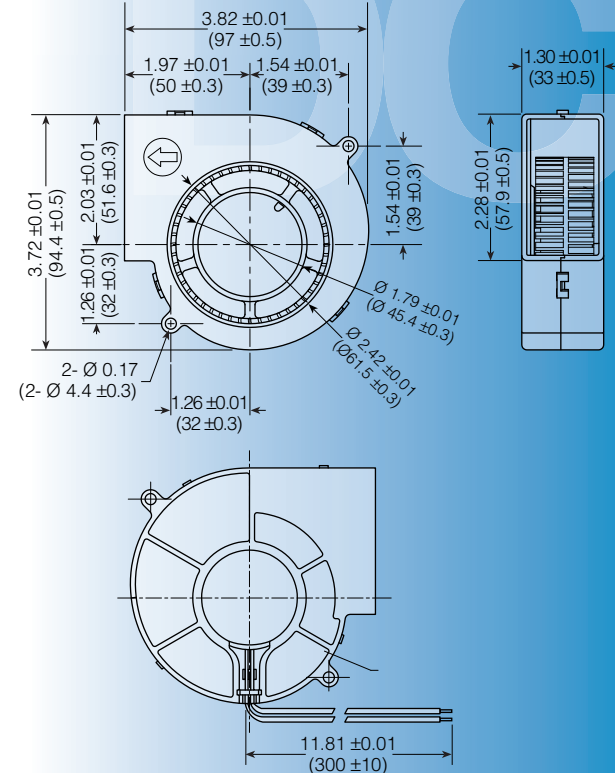


**Size: (97 x 94.4 x 33 mm)  
3.82 x 3.72 x 1.30 inches**

- Outstanding high pressure performance
- 12, 24 or 48 VDC models
- Ball Bearings
- Optional tachometer output



Model No.	Rated Voltage (V)	Current (mA)			Revolution (RPM)	Air Volume		Max Static Pressure (H <sub>2</sub> O)		Sound Noise (dBA)	Weight (g)
		12	24	48		M <sup>3</sup> /Min	CFM	MM	INCH		
MXB9733 L	12/24/48	0.30	0.20	0.15	2,200	0.41	14.43	7.74	0.30	35.30	165
MXB9733 M	12/24/48	0.50	0.35	0.20	2,800	0.52	18.44	13.59	0.54	41.51	165
MXB9733 H	12/24/48	0.80	0.55	0.30	3,300	0.62	21.80	20.42	0.80	45.47	165