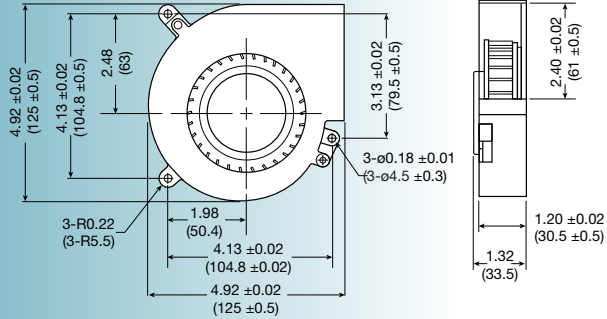
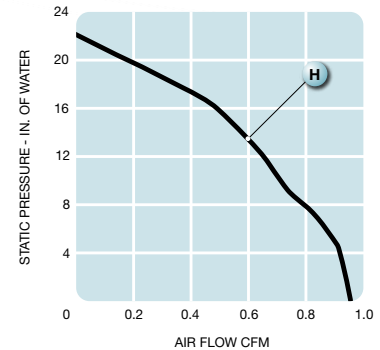


B1232-SR series



Size: (125 x 125 x 33.5mm)
4.92 x 4.92 x 1.32 inches

- Features:** side exhaust blower
- Construction:** UL94V-0 PBT impeller, metal and PBT frame
- Bearing option:** 2 ball bearing
- Connection:** lead wires
- Protection:** thermal
- Options:** tachometer output or locked rotor alarm signal



Model No.	Rated Voltage V	Current mA	Speed RPM	Air Volume		Max. Static Pressure (H ₂ O)		Sound Noise dbA	Weight g
				M ³ /Min.	CFM	MM	INCH		
B1232H-SR	24	480	2,400	0.96	34	22.14	0.87	51	340