

**Size: (127 x 127 x 38 mm)
5.0 x 5.0 x 1.5 inches**

Operating

voltage (VAC): 115 or 230

Construction:

aluminum die cast frame;
UL94V-0 PBT impeller

Bearing option:

motor quality ball bearings or
sintered bronze sleeve

Motor:

shaded pole

Air flow:

exhaust over struts

Connection:

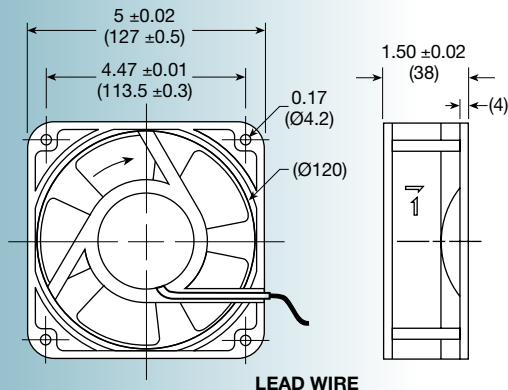
terminal or 22 AWG lead wire

Protection:

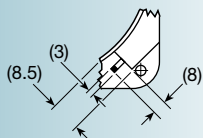
impedance

Option:

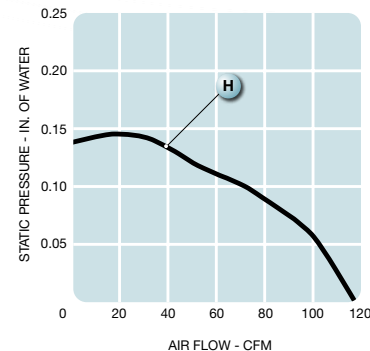
IP55; IP55 + salt fog



LEAD WIRE



TERMINAL TYPE



Model No.	Rated Voltage V	Freq. HZ	Input Power W	Rated Cur. A	Locked Cur. A	Speed RPM	Air Volume		Max. Static Pressure (H ₂ O)		Sound Noise db	Weight oz
							M ³ /Min.	CFM	MM	INCH		
UF13A12-__H	115	60	12	0.16	0.23	3,000	3.4	120	3.5	0.14	50	19.4
UF13A23-__H	230	60	15	0.09	0.11	3,000	3.4	120	3.5	0.14	50	19.4