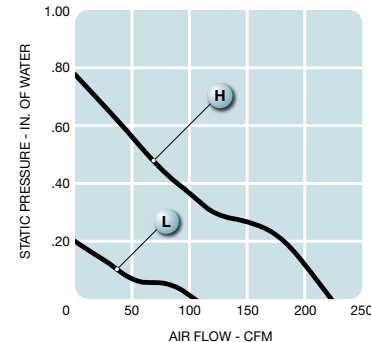
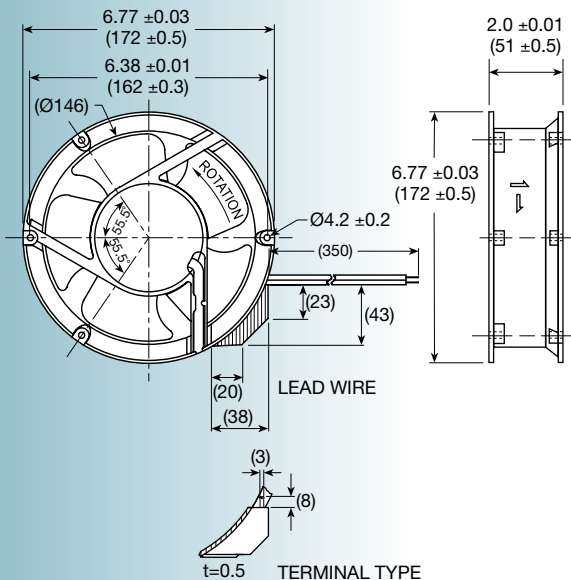


UF17PC series

**Size: (172 dia. x 51 mm)
6.77 dia. x 2.0 inches**

- Operating voltage (VAC):** 115 or 230
- Construction:** aluminum die cast frame;
UL94V-0 PBT impeller
- Bearing option:** motor quality ball bearings
- Motor:** permanent split capacitor
- Air flow:** exhaust over struts
- Connection:** terminal or 22 AWG lead wire
- Protection:** thermal
- Option:** IP55; IP55 + salt fog



Model No.	Rated Voltage V	Freq. HZ	Input Power W	Rated Cur. A	Locked Cur. A	Speed RPM	Air Volume		Max. Static Pressure (H ₂ O)		Sound Noise db	Weight oz
							M ³ /Min.	CFM	MM	INCH		
UF17PC12 - __H	115	60	31	0.25	0.43	3,400	6.4	226	20	0.79	58	32
UF17PC23 - __H	230	60	29	0.12	0.19	3,400	6.4	226	20	0.79	58	32
UF17PC12 - __L	115	60	31	0.15	0.20	1,700	3.0	106	5.5	0.22	37	32
UF17PC23 - __L	230	60	29	0.07	0.09	1,700	3.0	106	5.5	0.22	37	32