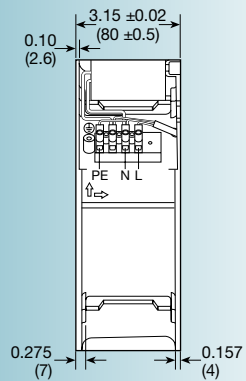
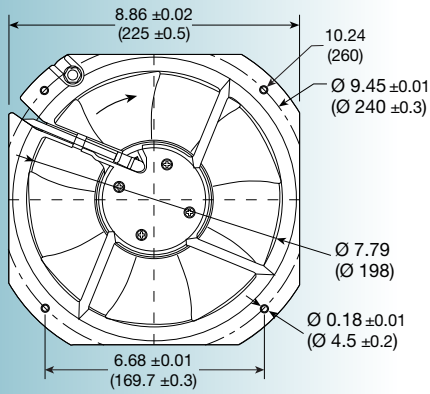


## UF200BMB-H2 series

### -H2C2A

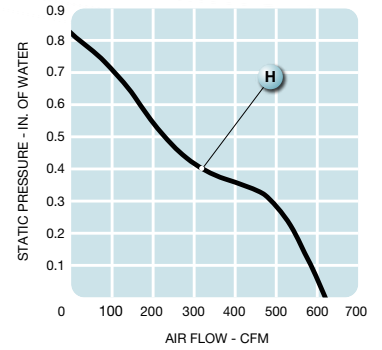
(standard with Frame)



**Size:** (225 x 225 x 80 mm)  
8.86 x 8.86 x 3.15 inches

**Features:** *metal frame and impeller; Class F insulation; -20° ~ 70°C operating temperature range; high-temp bearing lubricant*

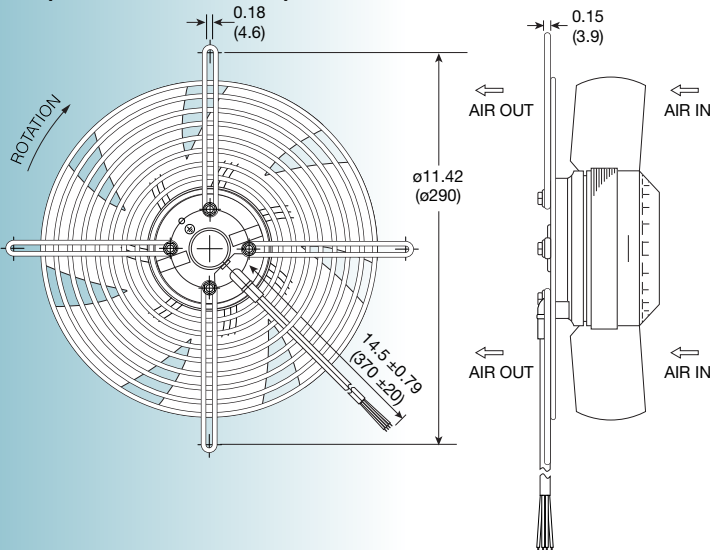
**Operating voltage (VAC):** 115 or 230  
**Bearing option:** motor quality ball bearings  
**Motor:** permanent split capacitor  
**Air flow:** exhaust over struts  
**Connection:** terminal/lead wires  
**Protection:** thermal



Model No.	Rated Voltage V	Freq. HZ	Input Power W	Rated Cur. A	Locked Cur. A	Speed RPM	Air Volume		Max. Static Pressure (H <sub>2</sub> O)		Sound Noise db
							M <sup>3</sup> /Min.	CFM	MM	INCH	
UF200BMB12-H2	115	60	100	0.88	1.31	3000	17.7	625	20.5	0.81	61
UF200BMB23-H2	230	60	80	0.37	0.61	3000	17.7	625	20.5	0.81	61

### -H2C2B

(With Guard/No Frame)



### -H2C2E

(Without Frame or Guard)

