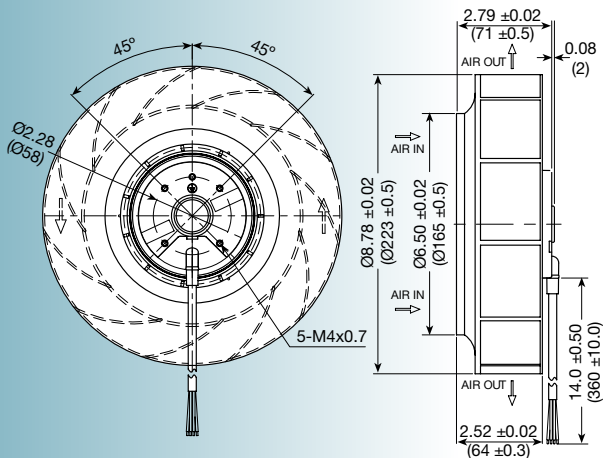
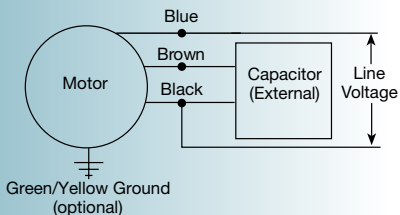


UF220APA series

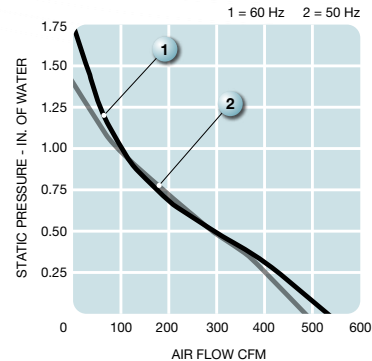


Motor Wiring Diagram



**Size: (223 dia. x 71 mm)
8.78 dia. x 2.79 inches**

- Features:** *backward curved impeller*
- Operating voltage (VAC):** 115 or 230
- Operating temp:** -40° ~ 50°C
- Construction:** aluminum die cast motor base, UL94V-0 reinforced nylon impeller
- Bearing option:** motor quality ball bearings
- Motor:** 2 pole permanent split capacitor, single phase
- Air flow:** centrifugal
- Connection:** 22 AWG lead wires
- Protection:** thermal
- Insulation:** Class B



Model No.	Rated Voltage V	Freq. HZ	Input Power W	Rated Cur. A	Locked Cur. A	Speed RPM	Air Volume		Max. Static Pressure (H ₂ O)		Sound Noise db	Weight kg
							M ³ /Min.	CFM	MM	INCH		
UF220APA12-H2C2A	115	50	90	0.63	0.88	2500	14	500	35	1.4	65	1.5
	115	60	117	0.80	0.93	2650	15	530	38	1.7	70	1.5
UF220APA23-H2C2A	230	50	90	0.35	0.47	2500	14	500	35	1.4	65	1.5
	230	60	117	0.39	0.49	2650	15	530	38	1.7	70	1.5