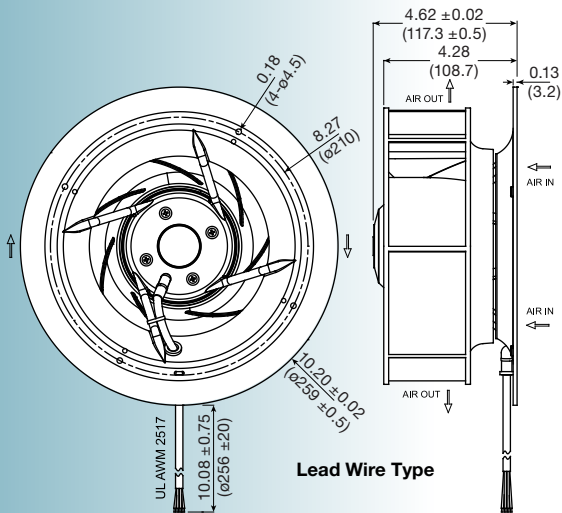
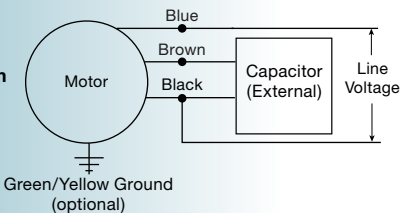


UF225(99)APA-F series



Lead Wire Type

Motor Wiring Diagram



Size: (259 dia. x 117 mm)
10.20 dia. x 4.62 inches

Features: *integrated mounting plate acts as inlet ring*

Operating voltage

(VAC): 115 or 230

Operating temp: -40° ~ 50°C

Construction:

aluminum die cast motor base,
UL94V-0 reinforced nylon impeller

Bearing option:

motor quality ball bearings

Motor:

2 pole permanent split capacitor,
single phase

Air flow:

centrifugal

Connection:

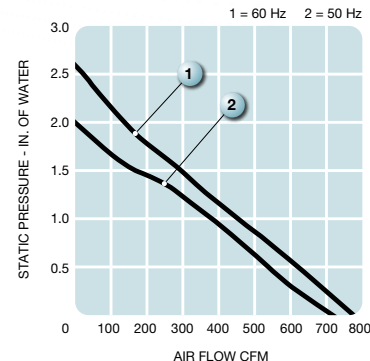
AWM 2517 lead wires

Protection:

thermal

Insulation:

Class B



Model No.	Rated Voltage V	Freq. HZ	Input Power W	Rated Cur. A	Locked Cur. A	Speed RPM	Air Volume		Max. Static Pressure (H ₂ O)		Sound Noise db	Weight kg
							M ³ /Min.	CFM	MM	INCH		
UF225APA(99)12-H1C2F	115	50	128	1.16	2.22	2650	20	700	51	2.0	69	2.6
	115	60	160	1.41	2.30	2950	22	770	66	2.6	71	2.6
UF225APA(99)23-H1C2F	230	50	126	0.57	1.14	2650	20	700	51	2.0	69	2.6
	230	60	157	0.70	1.15	2950	22	770	66	2.6	71	2.6