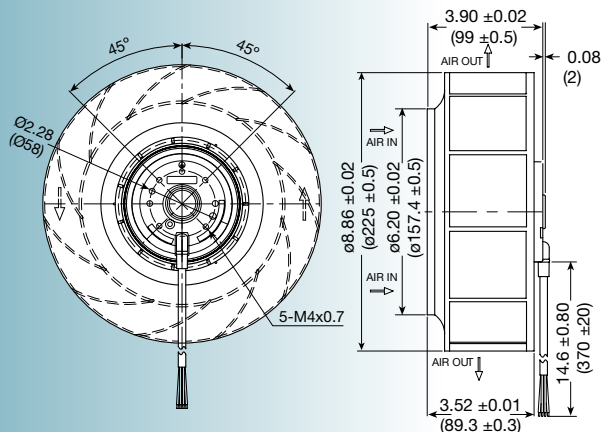
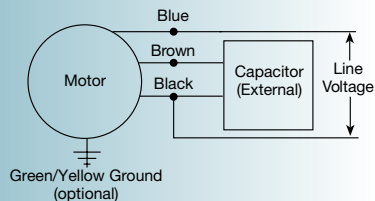


UF225(99)APA series



Motor Wiring Diagram



**Size: (225 dia. x 99 mm)
8.86 dia. x 3.90 inches**

Features: backward curved impeller

Operating voltage (VAC):

115 or 230

Operating temp:

-40° ~ 50°C

Construction:

aluminum die cast motor base,
UL94V-0 reinforced nylon impeller

Bearing option:

motor quality ball bearings

Motor:

2 pole permanent split capacitor,
single phase

Air flow:

centrifugal

Connection:

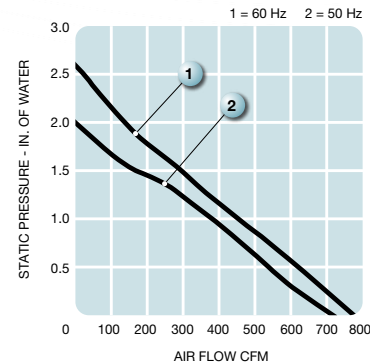
AWM 2517 lead wires

Protection:

thermal

Insulation:

Class B



Model No.	Rated Voltage V	Freq. HZ	Input Power W	Rated Cur. A	Locked Cur. A	Speed RPM	Air Volume		Max. Static Pressure (H ₂ O)		Sound Noise db	Weight kg
							M ³ /Min.	CFM	MM	INCH		
UF225APA(99)12-H1C2A	115	50	128	1.16	2.22	2650	20	700	51	2.0	69	2.3
	115	60	160	1.41	2.30	2950	22	770	66	2.6	71	2.3
UF225APA(99)23-H1C2A	230	50	126	0.57	1.14	2650	20	700	51	2.0	69	2.3
	230	60	157	0.70	1.15	2950	22	770	66	2.6	71	2.3