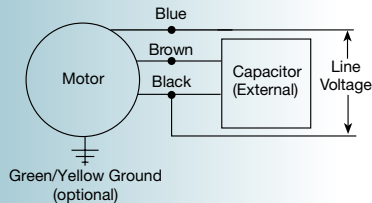
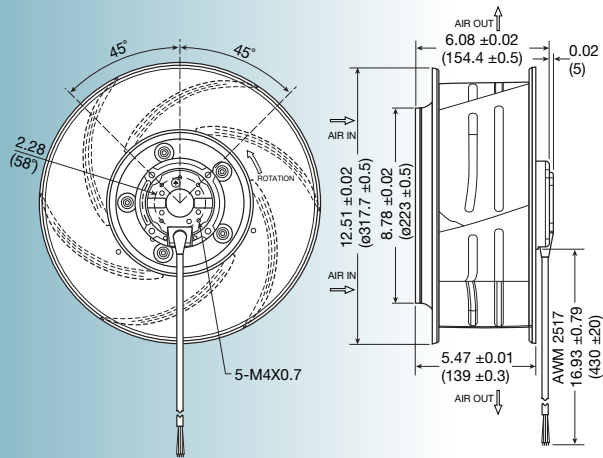


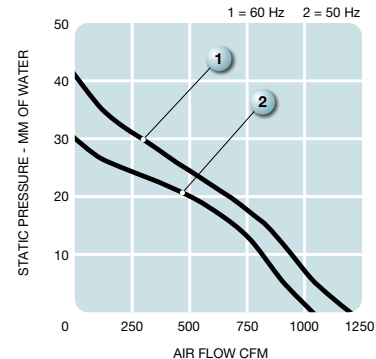
AC

UF318AAA series



Size: (318 dia. x 154 mm)
12.5 dia. x 6.08 inches

- Features:** *backward curved impeller*
- Operating voltage (VAC):** 115 or 230
- Operating temp:** -20° ~ 50°C
- Construction:** aluminum die cast motor base, aluminum impeller
- Bearing option:** motor quality ball bearings
- Motor:** 4 pole permanent split capacitor, single phase
- Air flow:** centrifugal
- Connection:** AWM 2517 lead wires
- Protection:** thermal
- Insulation:** Class B



| Model No. | Rated Voltage V | Freq. HZ | Input Power W | Rated Cur. A | Locked Cur. A | Speed RPM | Air Volume | | Max. Static Pressure (H ₂ O) | | Sound Noise db | Weight kg |
|------------------|-----------------|----------|---------------|--------------|---------------|-----------|----------------------|------|---|------|----------------|-----------|
| | | | | | | | M ³ /Min. | CFM | MM | INCH | | |
| UF318AAA12-H1C4A | 115 | 50 | 115 | 1.00 | 2.00 | 1390 | 28.8 | 1015 | 30 | 1.2 | 61 | 3.8 |
| | 115 | 60 | 160 | 1.43 | 2.00 | 1580 | 33.0 | 1165 | 40 | 1.6 | 64 | 3.8 |
| UF318AAA23-H1C4A | 230 | 50 | 115 | 0.56 | 1.40 | 1390 | 28.8 | 1015 | 30 | 1.2 | 61 | 3.8 |
| | 230 | 60 | 160 | 0.70 | 1.30 | 1580 | 33.0 | 1165 | 40 | 1.6 | 64 | 3.8 |