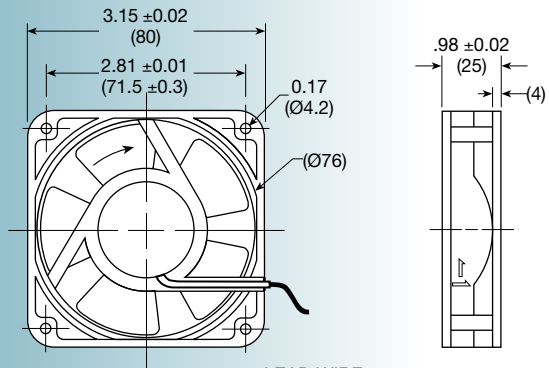
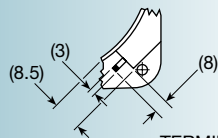


AC

UF80B series



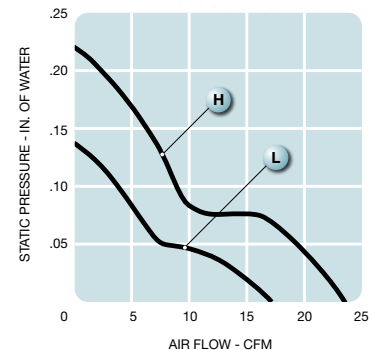
LEAD WIRE



TERMINAL TYPE

Size: (80 x 80 x 25 mm)
3.15 x 3.15 x 0.98 inches

- Operating voltage (VAC):** 115 or 230
- Construction:** aluminum die cast frame; UL94V-0 PBT impeller
- Bearing option:** motor quality ball bearings or sintered bronze sleeve
- Motor:** shaded pole
- Air flow:** exhaust over struts
- Connection:** terminal or 22 AWG lead wire
- Protection:** impedance



Model No.	Rated Voltage V	Freq. HZ	Input Power W	Rated Cur. A	Locked Cur. A	Speed RPM	Air Volume		Max. Static Pressure (H ₂ O)		Sound Noise db	Weight oz
							M ³ /Min.	CFM	MM	INCH		
UF80B12-__H	115	60	11	0.12	0.13	3,100	0.68	24	5.5	0.22	35	9.2
UF80B23-__H	230	60	14	0.07	0.08	3,100	0.68	24	5.5	0.22	35	9.2
UF80B12-__L	115	60	11	0.12	0.13	2,400	0.50	18	3.5	0.14	31	9.2
UF80B23-__L	230	60	14	0.06	0.07	2,400	0.50	18	3.5	0.14	31	9.2