

# AC

## UF90DPB series

**Size: (120 x 120 x 37 mm)**  
**4.72 x 4.72 x 1.46 inches**

**Features:** *single inlet blower*

**Operating voltage**

**(VAC):** 115 or 230

**Operating temp:** -40° ~ 60°C

**Construction:** aluminum die cast motor base;  
 UL94V-0 reinforced nylon impeller

**Bearing option:** motor quality ball bearings

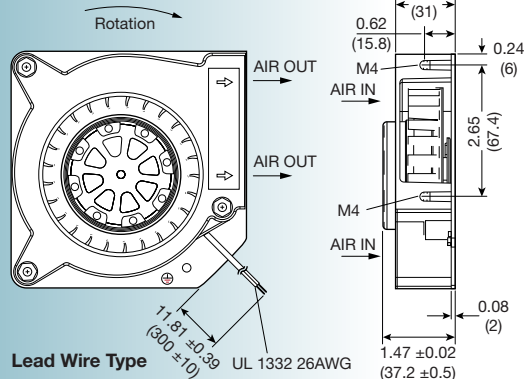
**Motor:** shaded pole

**Air flow:** centrifugal

**Connection:** UL1332 26AWG lead wires

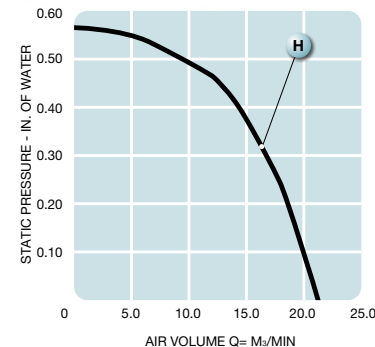
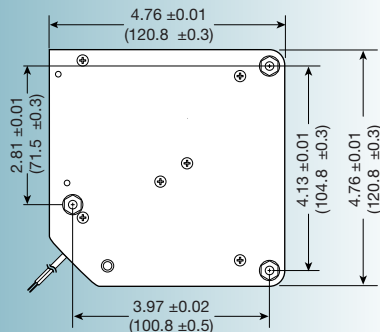
**Protection:** thermal

**Insulation:** Class B



**Lead Wire Type**

UL 1332 26AWG



Model No.	Rated Voltage V	Freq. HZ	Input Power W	Rated Cur. A	Locked Cur. A	Speed RPM	Air Volume		Max. Static Pressure (H <sub>2</sub> O)		Sound Noise db	Weight kg
							M <sup>3</sup> /Min.	CFM	MM	INCH		
UF90DPB12-H1S2A	115	60	18	0.21	0.26	2700	0.60	21	13	0.50	51	0.66
UF90DPB23-H1S2A	230	60	18	0.10	0.12	2700	0.60	21	13	0.50	51	0.66