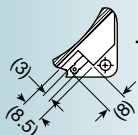
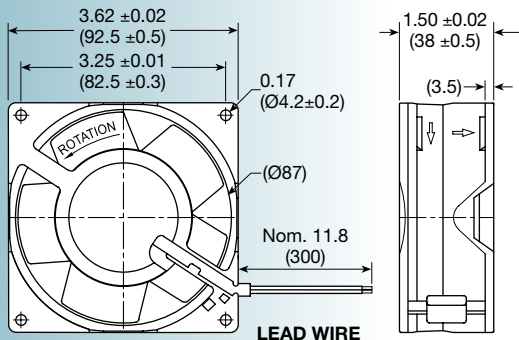


## UF92AM series



TERMINAL TYPE

**Size: (92 x 92 x 38 mm)  
3.62 x 3.62 x 1.5 inches**

**Features:** *metal frame and impeller; Class F (155°) insulation; -40°C ~ 90°C operating temperature range; high-temp bearing lubricant*

**Operating voltage (VAC):** 115 or 230

**Construction:** aluminum die cast frame; metal impeller

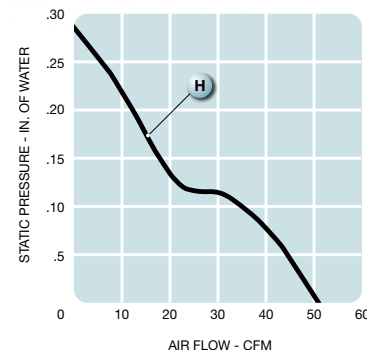
**Bearing option:** motor quality ball bearings

**Motor:** shaded pole

**Air flow:** exhaust over struts

**Connection:** terminal or 22 AWG lead wire

**Protection:** impedance



Model No.	Rated Voltage V	Freq. HZ	Input Power W	Rated Cur. A	Locked Cur. A	Speed RPM	Air Volume		Max. Static Pressure (H <sub>2</sub> O)		Sound Noise db	Weight oz
							M <sup>3</sup> /Min.	CFM	MM	INCH		
UF92AM12-__H	115	60	11	0.12	0.17	3,200	1.45	51	7.5	0.30	42	15
UF92AM23-__H	230	60	11	0.06	0.08	3,200	1.45	51	7.5	0.30	42	15